

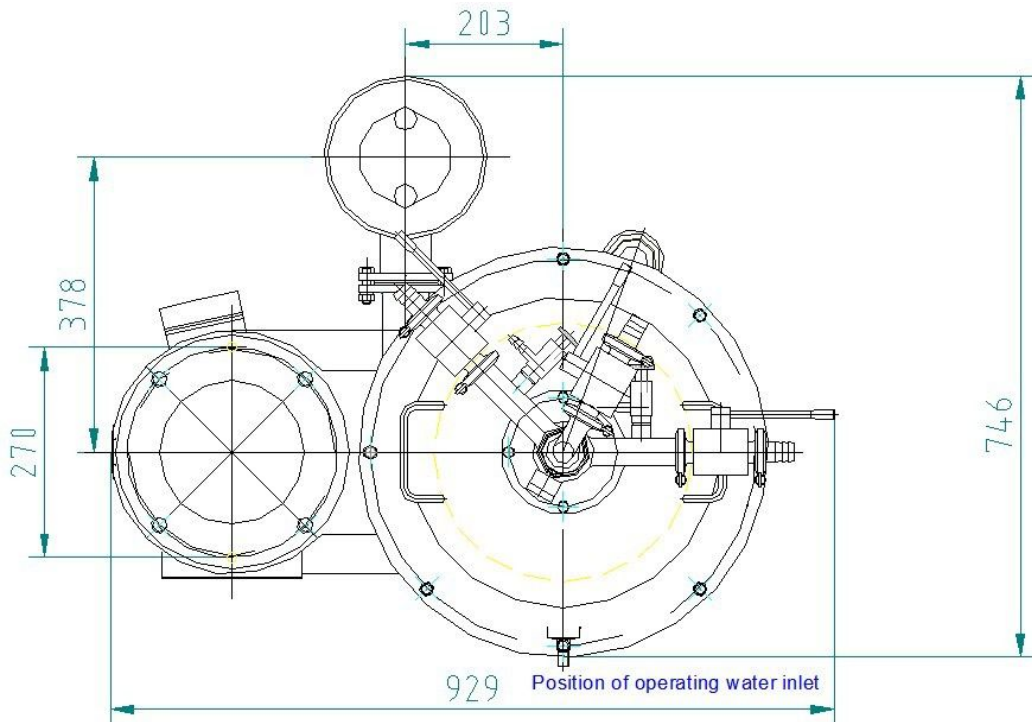
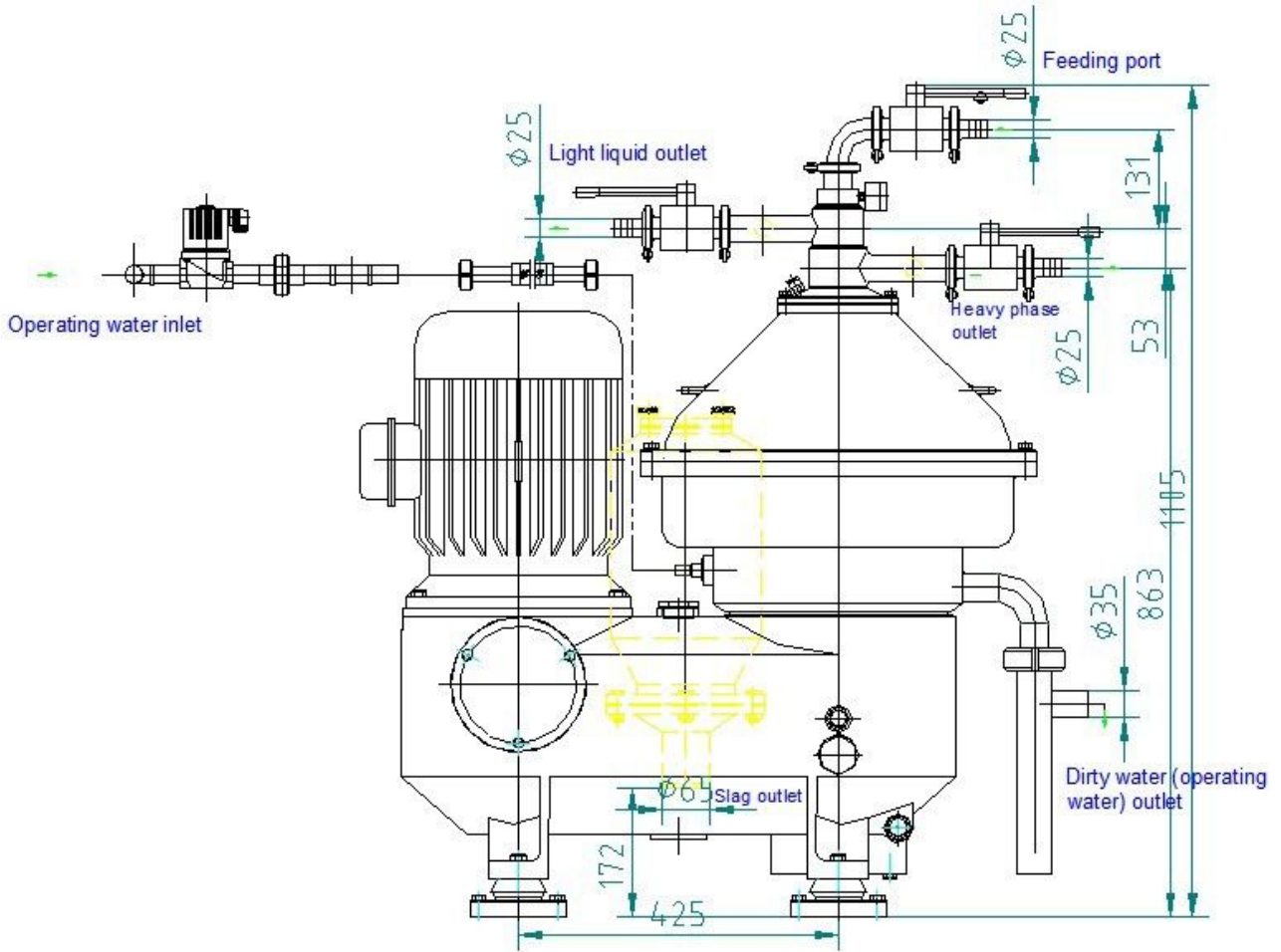
SPECIFICATION OF DISC SEPARATOR MODEL PDSC-204SD



Structure Features of Model PDSC-204SD Separator:

- ◆ The material of drum body, drum cover and valve is high strength stainless steel, the Moc of other parts are all high quality stainless steel, the disc stack and separator shell employ SS304.
- ◆ Drive structure support use SKF bearing, by employing optimal design to reduce the height of the drum's center of gravity. It can effectively lower the vibrational level of the whole separator, improve the reliability of the equipment and increase the stability of the separator.
- ◆ In the dismounting and maintenance, the parts of drum can be hoisted integrally, thus make the dismounting of main lock ring more convenient, saving both time and labor, easy to install the drum.
- ◆ The separator has a less vibration and more stability through price dynamic balance of the drum.
- ◆ The separator adopts separation factor technology. It can separate product that is hard to separate, meanwhile, the machine has light volume and use the small volume to get big capacity and high separation efficiency.
- ◆ The separator adopts advance belt drive, improving the reliability and maintainability of the separator, and decreasing cost of spare parts.

Dimensions:



Main Technical Specification:

Capacity	< 1000L/h
Working diameter of bowl	Φ230mm
RPM	11200rpm
Discharge type	Self-cleaning (PLC control)
Vibration	≤2.8mm/s
Noise	≤85dB(A)
Starting Mode	Frequency Startup
Driving Mode	Belt Drive
N.W.	371kg
Dimension (L*W*H)	930×750×1050mm
Motor	Power
	7.5kW

Cost analysis:

Compared selling price and maintenance cost with Alfa Laval, Westfalia and other domestic manufacturers

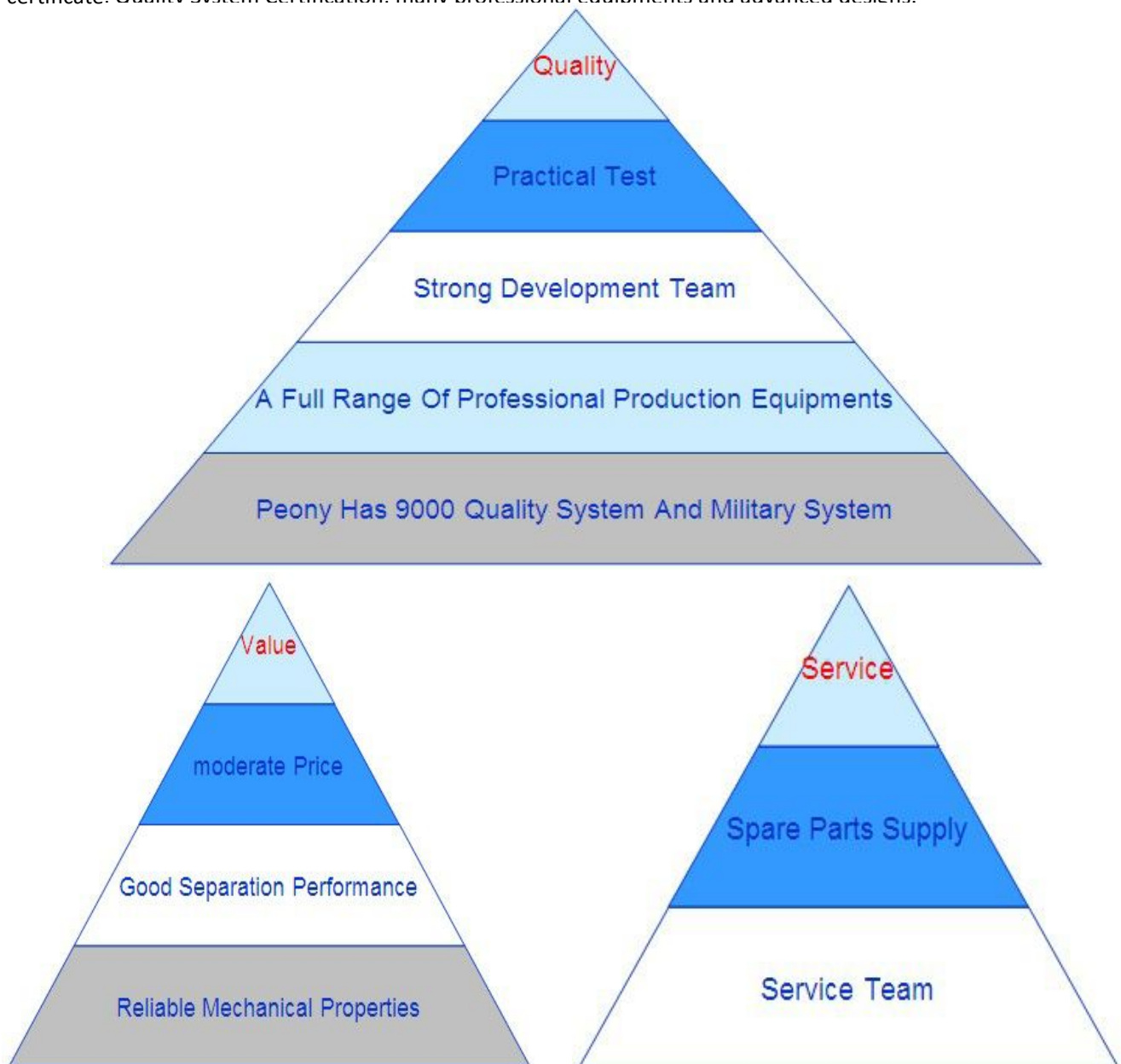


Single Value Analysis:

1. Peony adopts SKF bearing , which is consistent with Alfa, Westfalia.
2. Alfa and Westfalia only provide clients with the bearing and the gear in the overhaul package(need to buy separately) while Peony has more sufficient attachment supply.
3. Peony never reduce the amount of spare parts and tools for users buying many sets of the same model machine. (unless the customer put forward in specially).
4. Regular spare parts are all in stock in Peony's company.

Guarantee:

Peony has advantages in price, service and quality. We have Military Product Quality System Certification, CE certificate. Quality System Certification. many professional equipments and advanced designs.



Overview Equipments:

Peony has a full range of professional production equipments. The pictures below show some equipments.



ZHANGJIAGANG PEONY MACHINERY CO, LTD

Add: Leyu Developing Zone, Zhangjiagang City, Jiangsu Pro., China

Tel: 0086 512 56998960, 0086 512 56300801

Fax: 0086 512 58797983

Mobile: 0086 13773290303

MSN: jimgu004@hotmail.com

Skype: Alicegu8496

Web: www.peonyfns.com www.peonycentrifuge.com

www.separator-centrifuge.com

PEONY 